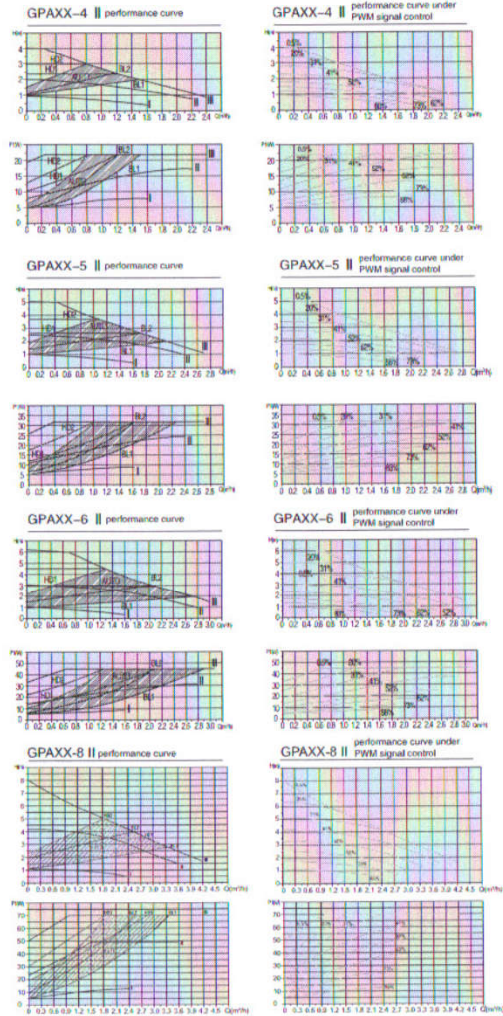
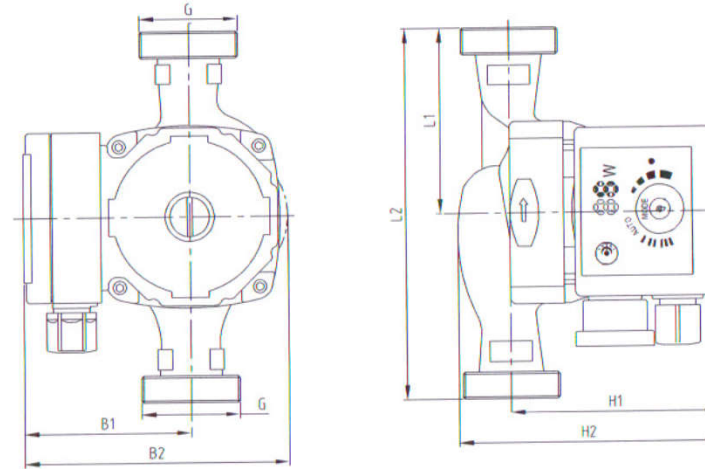


Performance Curve



Installation Diagram



Product Parameters

Power (W)	Model	Max. Flow (m³/h)	Max. Head (m)	Current (A)	Voltage (V)	Frequency (Hz)	Material of pump body					D. dimension (mm)		Wt. (g)				
							Cast Iron	Plastic	Copper	Stainless Steel	L1	L2	B1	B2	H1	H2	G	G.W.
5 22	GPA20-4 II	2.3	4	0.05 0.19	●	●	●	●	●	65	130	82	130	103	127	1"	2.4	1.9
										75	150	82	130	103	127	2.5	2.0	
	GPA25-4 II	2.5	4	0.05 0.19	●	●	●	●	●	65	130	82	130	103	130	2.9	2.1	
										75	150	82	130	103	130	3.1	2.3	
										90	180	82	130	103	130	3.2	2.4	
										90	180	82	130	102	132	2"	3.5	2.5
5 32	GPA20-5 II	2.5	5	0.05 0.27	●	●	●	●	65	130	82	130	103	130	1"	2.4	1.9	
									75	150	82	130	103	127	2.5	2.0		
	GPA25-5 II	3.0	5	0.05 0.27	●	●	●	●	65	130	82	130	103	130	1 1/2"	3.1	2.3	
									75	150	82	130	103	130	3.2	2.4		
									90	180	82	130	103	130	3.2	2.4		
									90	180	82	130	102	132	2"	3.5	2.5	
5 45	GPA20-6 II	2.8	6	0.05 0.38	●	●	●	●	65	130	82	130	103	127	1"	2.4	1.9	
									75	150	82	130	103	127	2.5	2.0		
	GPA25-6 II	3.2	6	0.05 0.38	●	●	●	●	65	130	82	130	103	130	1 1/2"	3.1	2.3	
									75	150	82	130	103	130	3.2	2.4		
									90	180	82	130	103	130	3.2	2.4		
									90	180	82	130	102	132	2"	3.5	2.5	
5 70	GPA20-8 II	3.4	8	0.05 0.52	●	●	●	●	65	130	88	136	103	127	1"	2.6	2.1	
									65	130	88	136	103	130	3.2	2.3		
	GPA25-8 II	4.0	8	0.05 0.52	●	●	●	●	75	150	88	136	103	130	1 1/2"	3.3	2.5	
									75	150	88	136	103	130	3.4	2.6		
									90	180	88	136	103	130	3.4	2.6		
									90	180	88	136	102	132	2"	3.7	2.7	